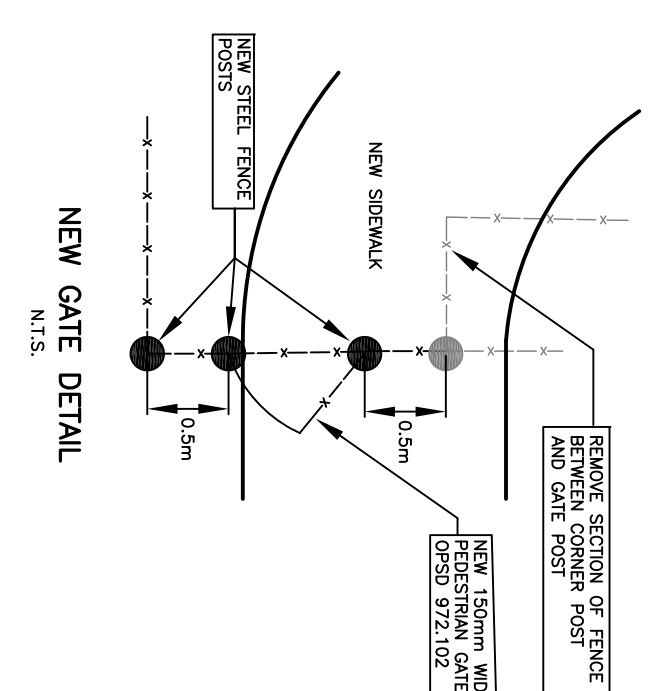
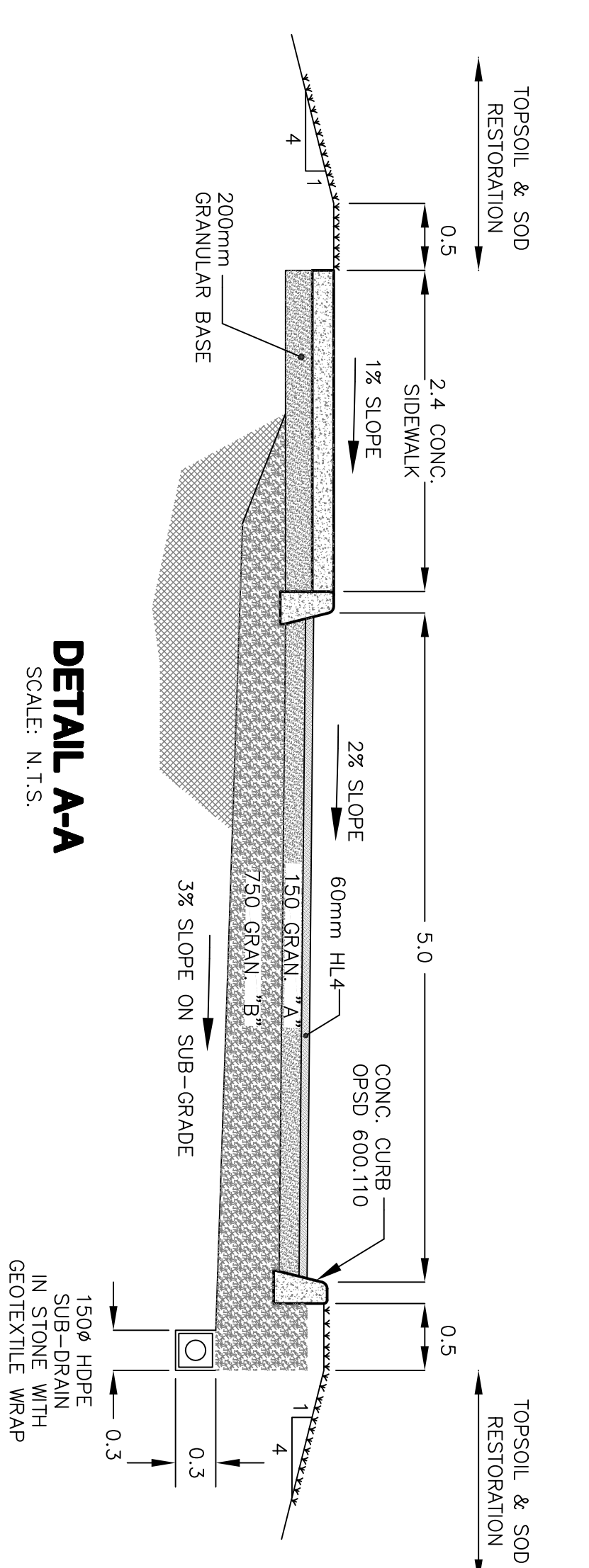


- GENERAL NOTES:**
1. GRANULAR "A" OPSSD 1010. PLACE AND COMPACT TO 100% S.P.D. PROVIDE CURRENT PHYSICAL PROPERTIES DATA, GRADATION AND STANDARD PROCTOR DENSITY.
 2. GRANULAR "B" TYPE 1 OR 2 OPSS 1010. PLACE AND COMPACT TO 100% S.P.D. PROVIDE CURRENT PHYSICAL PROPERTIES DATA, GRADATION AND STANDARD PROCTOR DENSITY.
 3. CONCRETE FOR CURBS AND SIDEWALKS NORMAL PORTLAND CEMENT 32mpa, 75mm SLUMP 5-7% AIR MIX DESIGN AND ADEQUATE PROPERTIES.
 4. ASPHALT HL4 OPSS 310 AND1150. PROVIDE CURRENT MARSHALL MIX DESIGN AND ADEQUATE PROPERTIES.
 5. PROVIDE SEPARATE PRICE FOR PAVING OF PATHWAY IN KINDERGARTEN COMPOUND (SEE SPECS - SEPARATE PRICE No. 4)



LEGEND
 + 341.25 EXISTING ELEVATIONS
 + 341.25 PROPOSED ELEVATION

No.	Revision	Date	Initial
1	FENCE ADDED, D/W APRON RETAINED	03/04/13	GB/GB
0	ISSUED FOR TENDER	01/23/13	GB/GB
A	ISSUED FOR 1ST CLIENT REVIEW	01/18/13	GB/GB

Approved
ORIGINAL
 STAMPED BY
G.W. BUCKRELL
 01/23/13

BUS DROP-OFF LOOP
 DETAILS

RAINY RIVER DISTRICT SCHOOL BOARD
 J.W. WALKER SCHOOL
 FULL DAY KINDERGARTEN RENOVATIONS
 475 KEATING AVENUE
 FORT FRANCES, ONTARIO

Scale: 5m 0 2.5m 5m
 Drawn By: CB
 Ckd. By: GB
 Date: OCT. 2012
 Rev: 1

Hatch Mott MacDonald